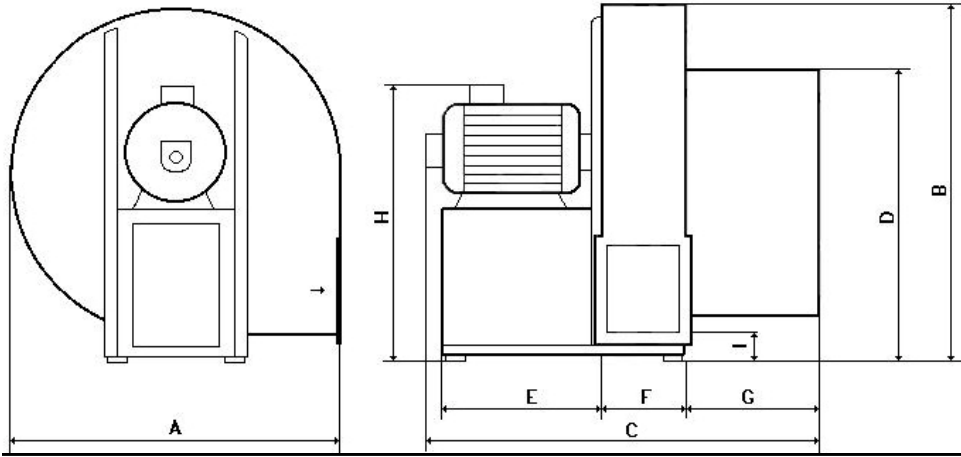


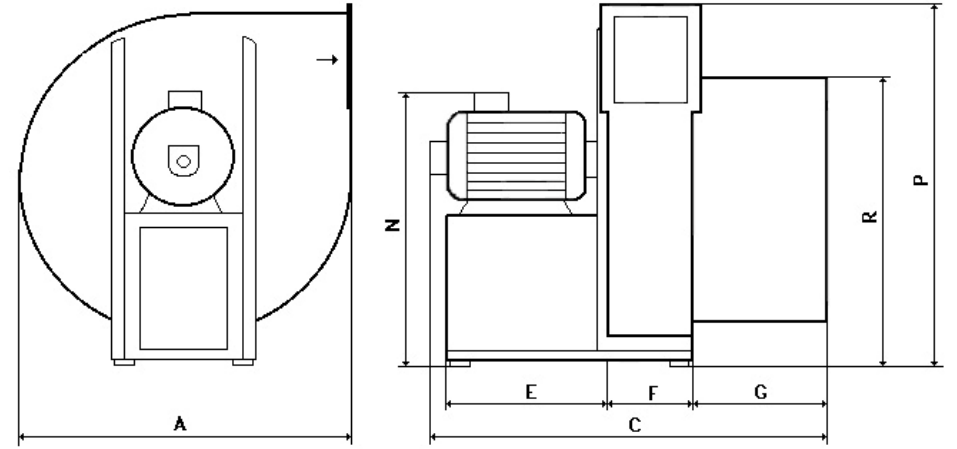
FS

FORMA STANDARD – STANDARD SHAPE

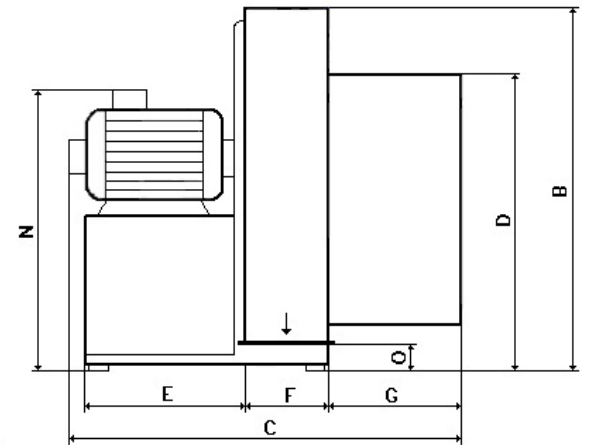
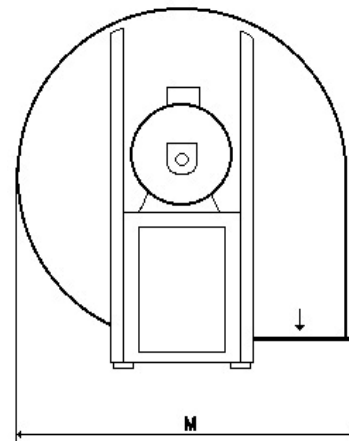
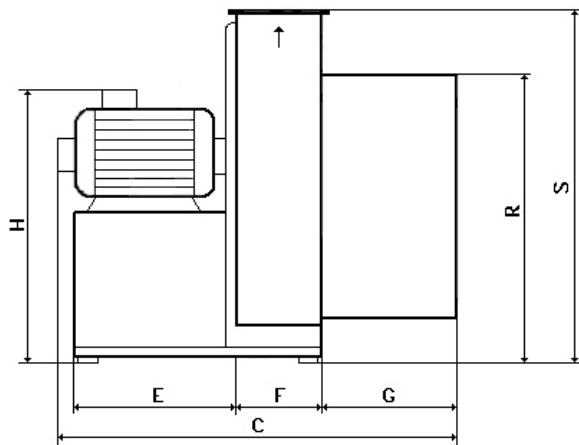
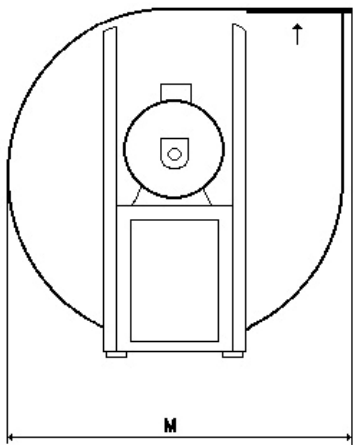
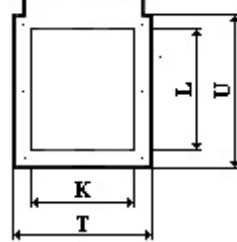


BPA

BOCCA ALTA PARETE – HIGH WALL WIND EXIT



bocca aria
air inlet



BS

BOCCA SOFFITTO – CEILING WIND EXIT

BP

BOCCA PAVIMENTO – FLOOR WIND EXIT