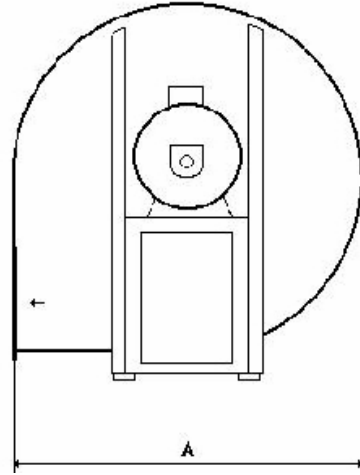
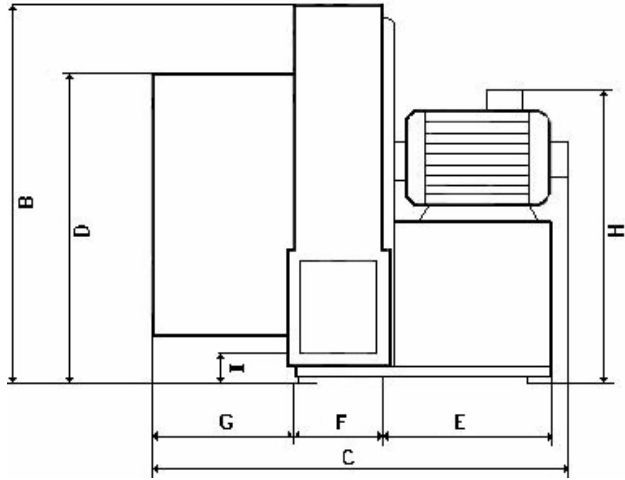


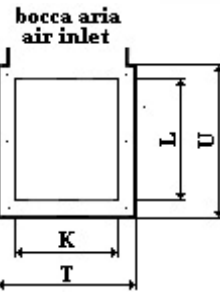
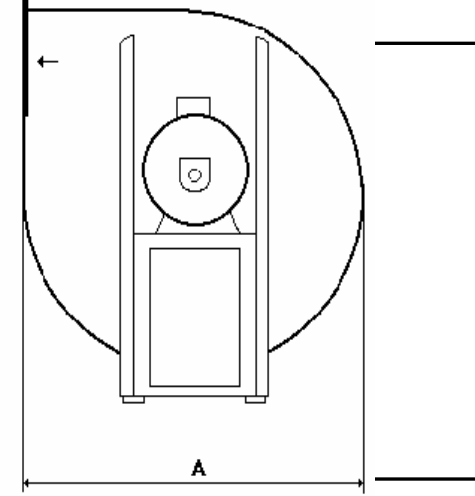
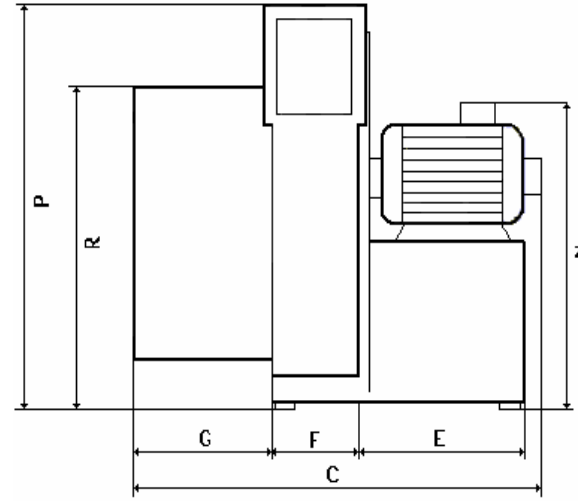
**FSR**

*FORMA STANDARD – STANDARD SHAPE*

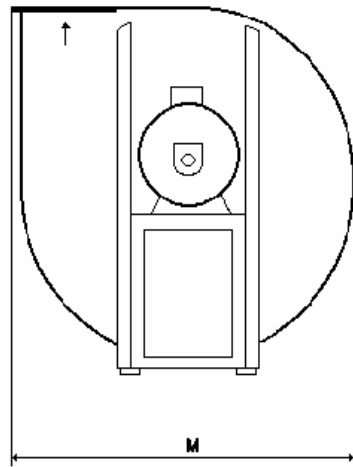
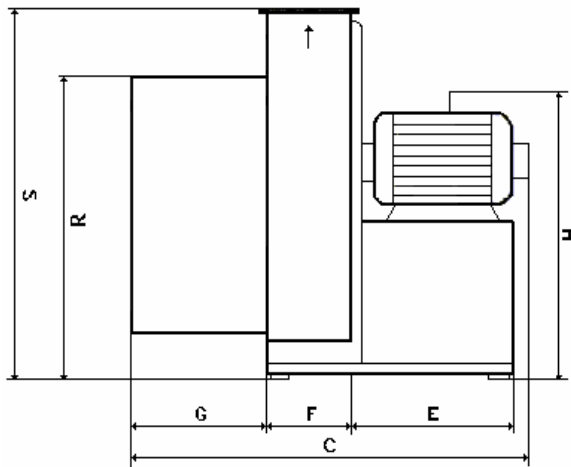


**BPAR**

*BOCCA ALTA PARETE – HIGH WALL WIND EXIT*



**BSR** *BOCCA SOFFITTO – CEILING WIND EXIT*



**BPR**

*BOCCA PAVIMENTO – FLOOR WIND EXIT BOCCA*

